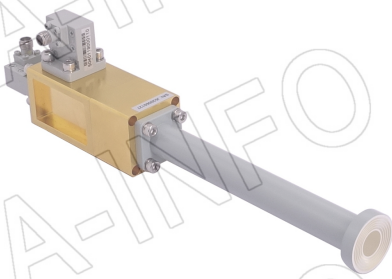


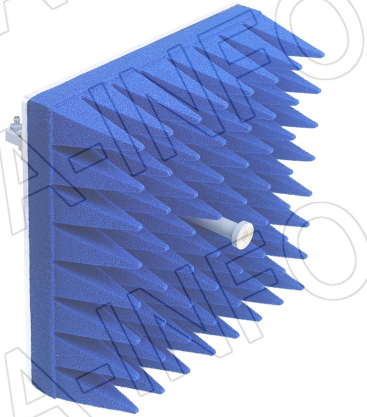
For reference only. See data sheet for the detailed specifications.

Technical Specification

LB-ACH-34-10-T16-C-KF



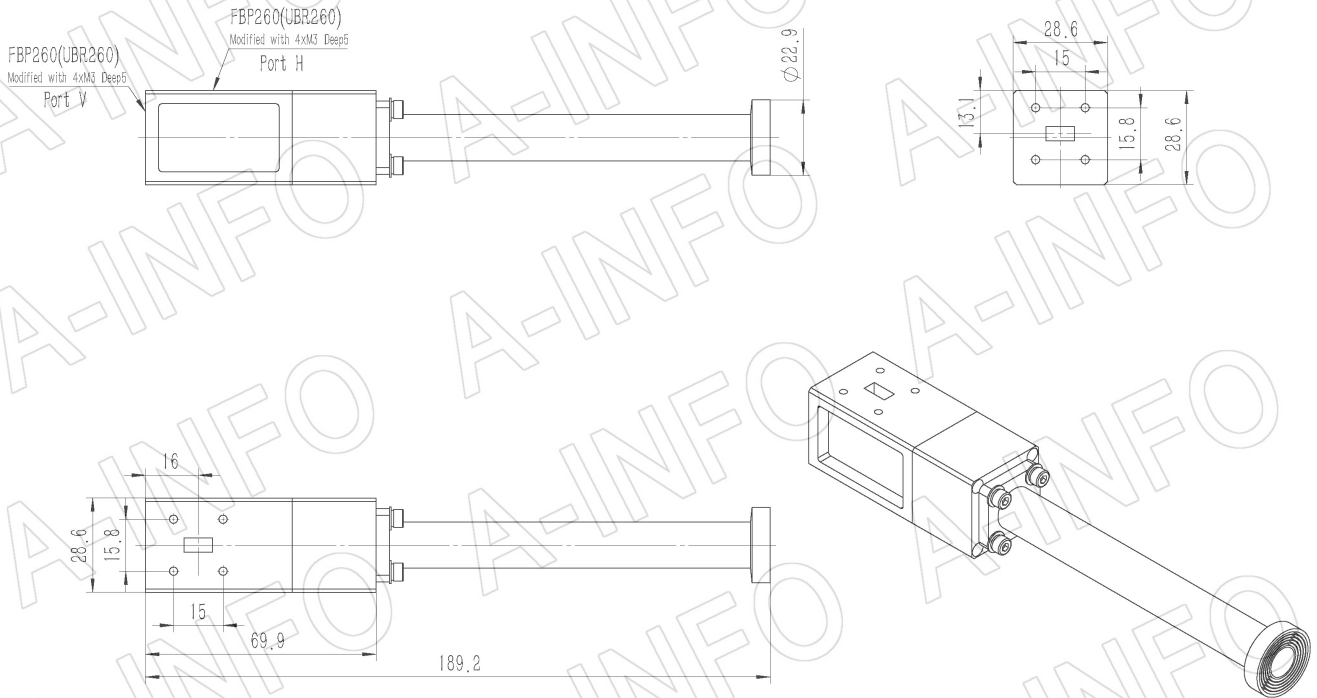
LB-ACH-34-10-T16-C-KF-A1



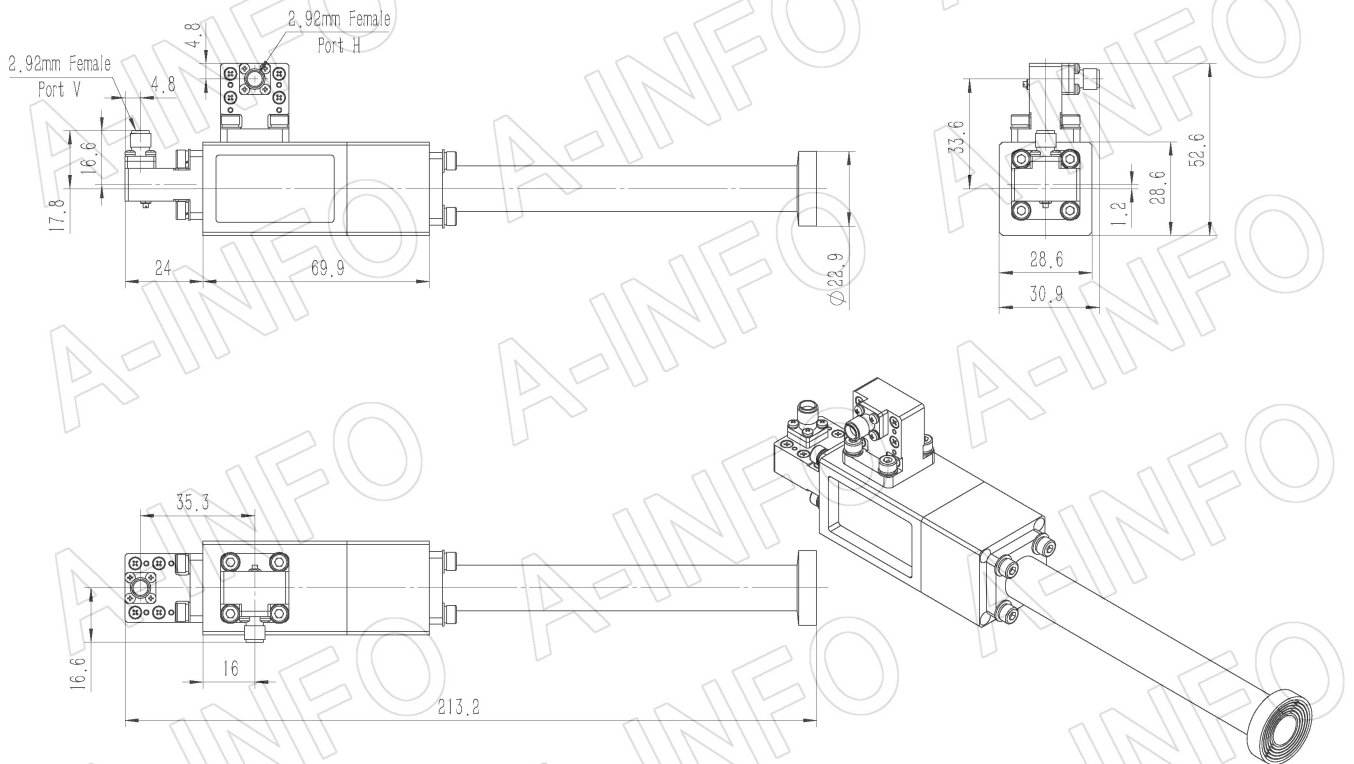
Frequency Range(GHz)	23.8 – 31.2	
Waveguide	WR34	
Gain(dBi)	10 Typ.	
Polarization	Dual Linear	
3dB Beamwidth(deg)	E Plane:	54 Typ.
	H Plane:	56 Typ.
10dB Beamwidth(deg)	E Plane:	98 Typ.
	H Plane:	105 Typ.
Cross Pol. Isolation(dB)	40 Typ.	
Port to Port Isolation(dB)	45 Typ. ; 35 Min.	
VSWR	A Type:	1.50:1 Typ.
	C Type:	1.50:1 Typ.
Output	A Type:	FBP260(UBR260)
	C Type:	2.92mm-Female
Material	Al	
Finish	Gold Plated and Sliver Plated, Gray Paint	
Size(mm)	A Type:	28.6 x 28.6 x 189.2
	C Type:	30.9 x 52.6 x 213.2
	A-A1:	266.4 x 266.4 x 240
	C-KF-A1:	266.4 x 266.4 x 264
Net Weight(Kg)	A Type:	0.41 Around
	C Type:	0.50 Around
	A-A1:	1.73 Around
	C-KF-A1:	1.84 Around

Outline Drawing (Size: mm)

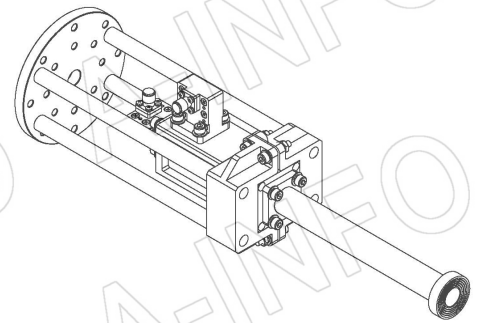
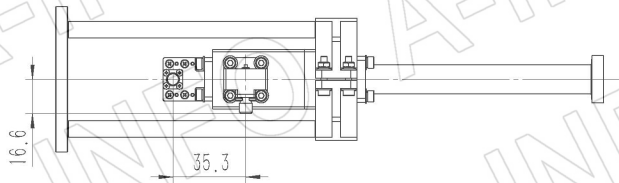
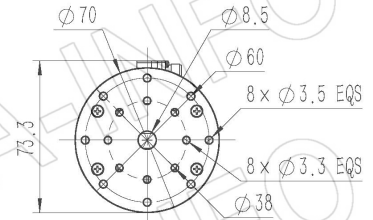
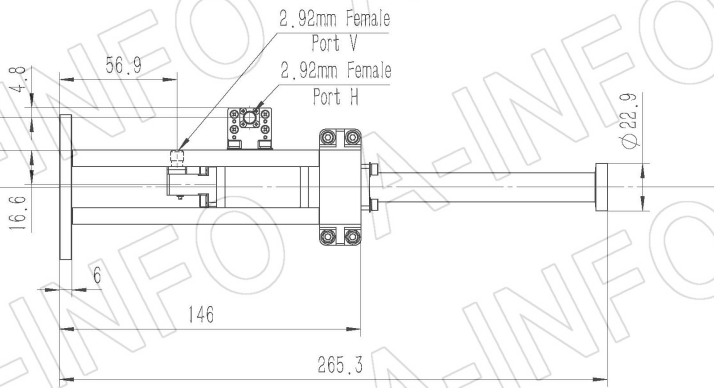
FBP260 Output (P/N: LB-ACH-34-10-T16-A)



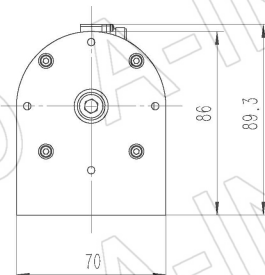
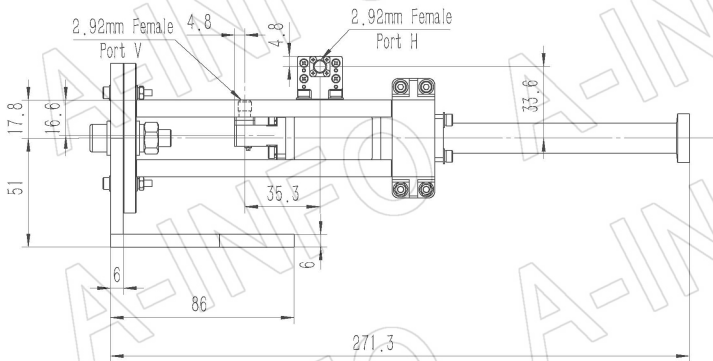
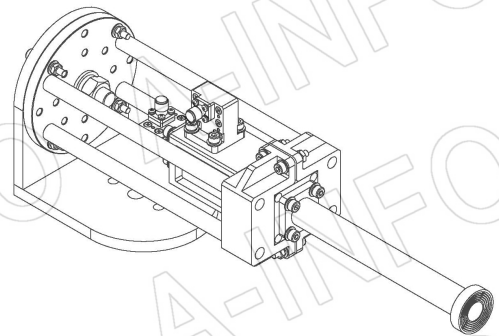
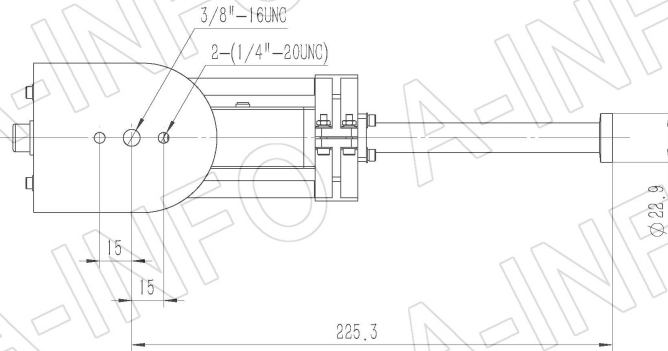
2.92mm-Female Output (P/N: LB-ACH-34-10-T16-C-KF)



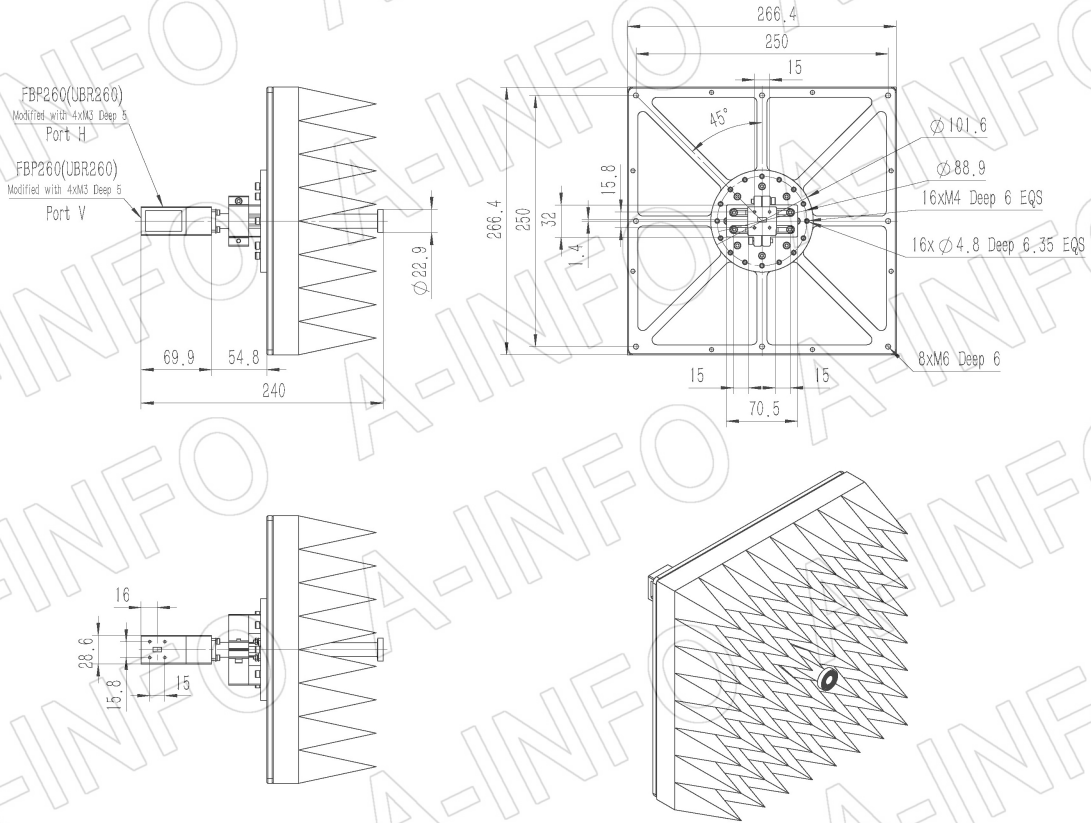
2.92mm-Female Output with Round Mounting Bracket (Option, P/N: LB-CNH-28-15-T02-MB)



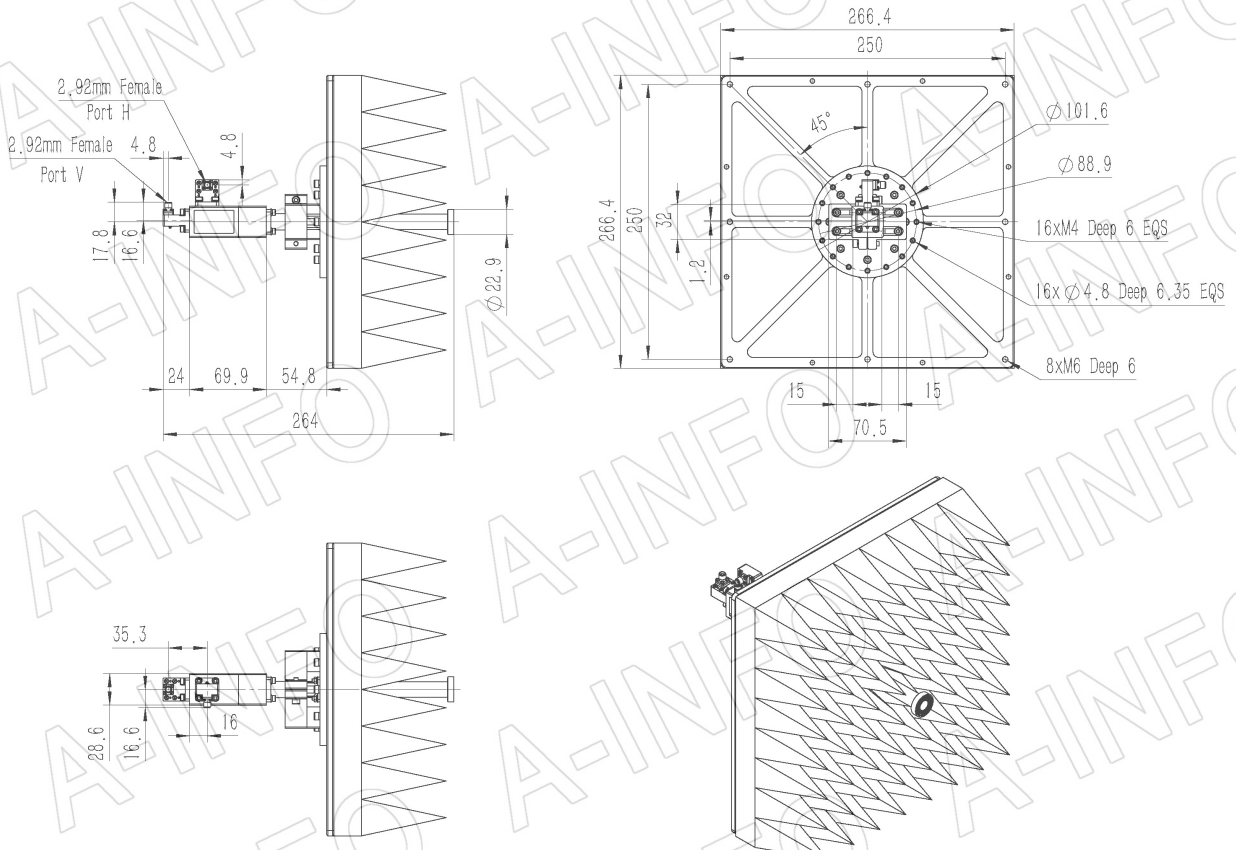
2.92mm-Female Output with L Type Mounting Bracket (Option, P/N: LB-CNH-28-15-T02-MBL)



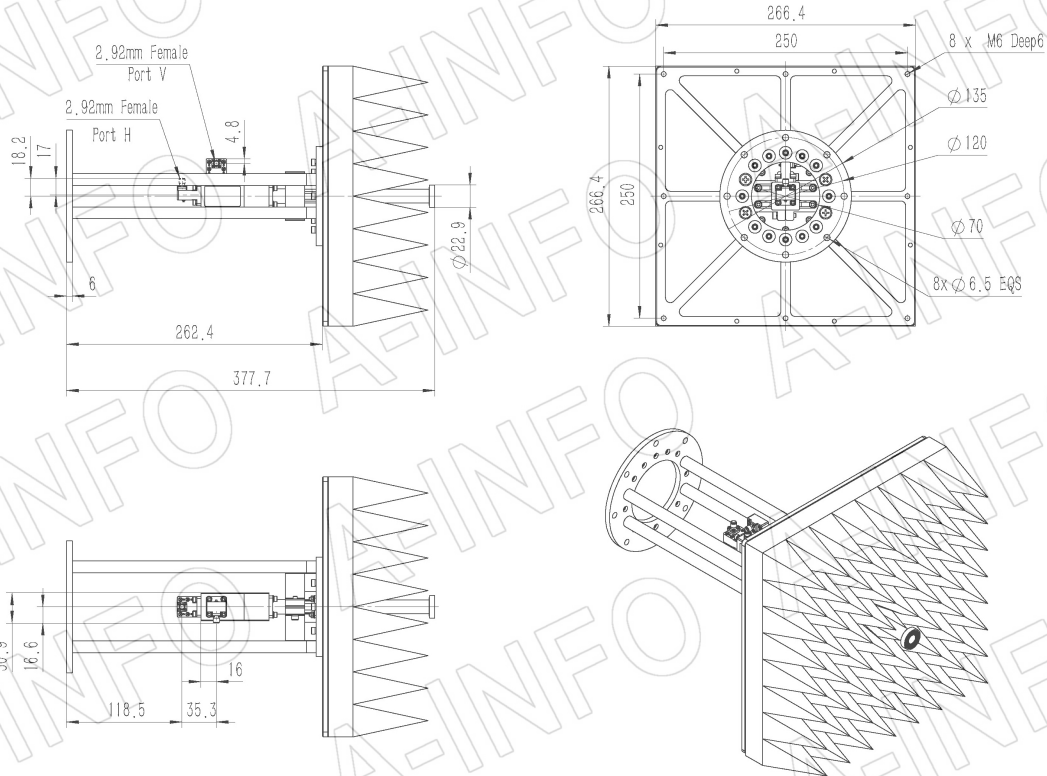
FBP260 Output, Equipped with Absorber (Option, P/N: LB-ACH-34-10-T16-A-A1)



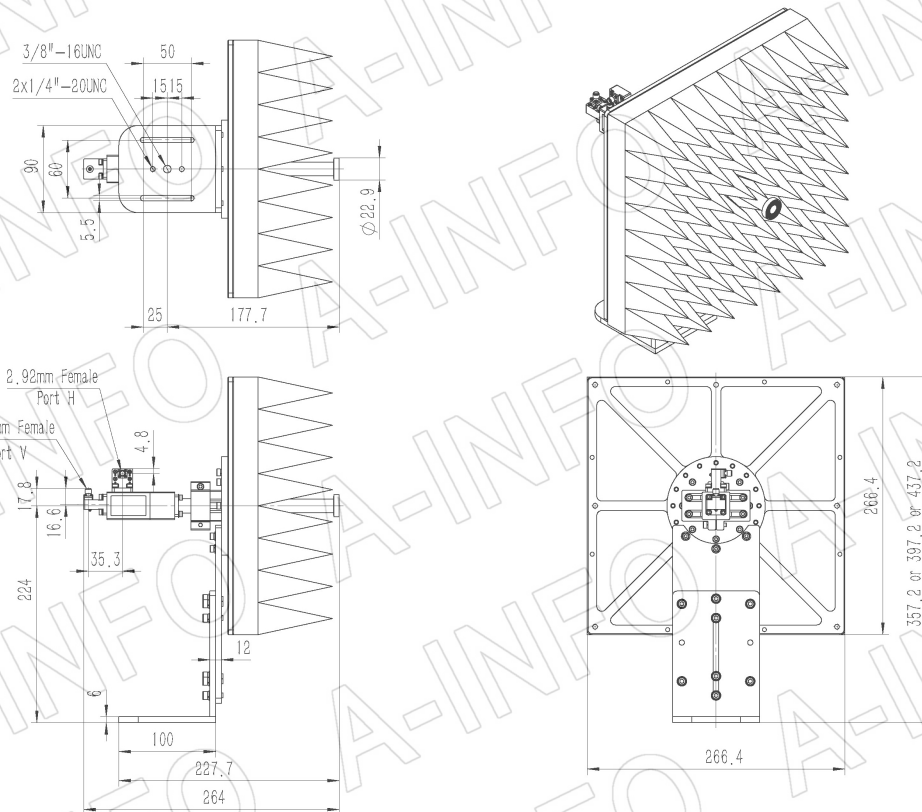
2.92mm-Female Output, Equipped with Absorber (Option, P/N: LB-ACH-34-10-T16-C-KF-A1)



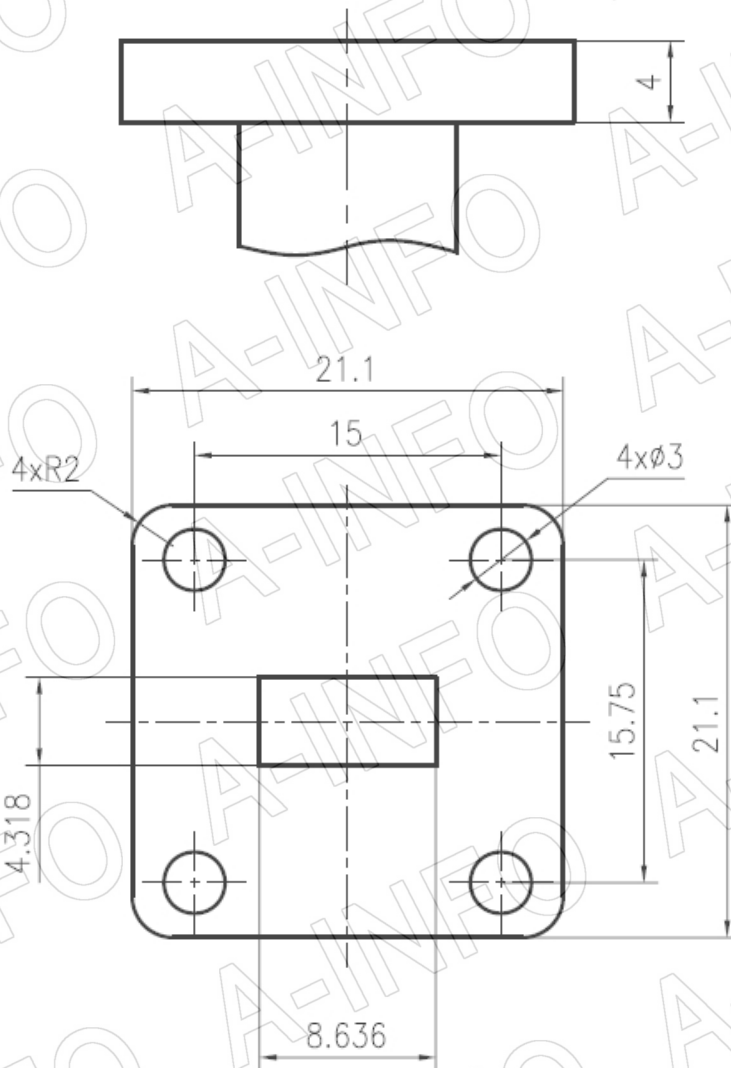
2.92mm-Female Output with Round Mounting Bracket & Equipped with Absorber (Option, P/N: EWG-MB40 & LB-ACH-34-10-T16-C-KF-A1)



2.92mm-Female Output with L Type Mounting Bracket & Equipped with Absorber (Option, P/N: EWG-L40 & LB-ACH-34-10-T16-C-KF-A1)



Flange Drawing (Size: mm)



FBP260

AINFO Inc.

China(Beijing): Tel: (+86) 10-6266-7326,
China(Chengdu): Tel: (+86) 28-8519-2786,
USA: Tel: (+1) 949-639-9688,

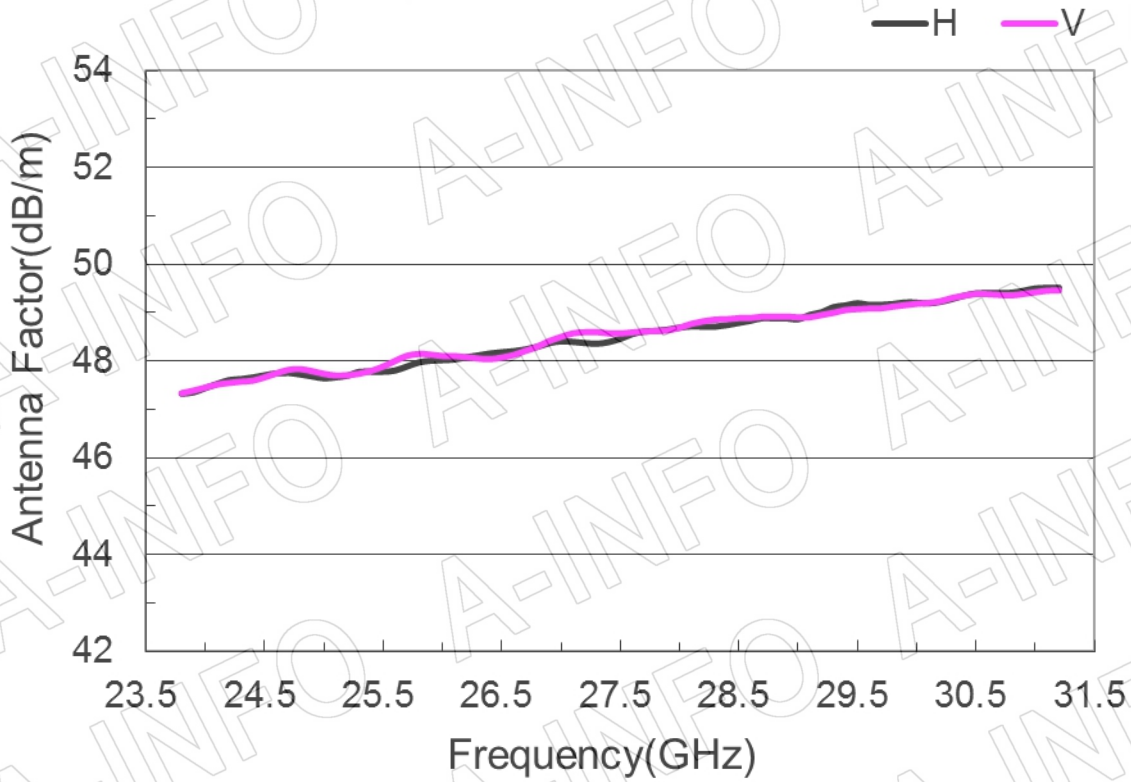
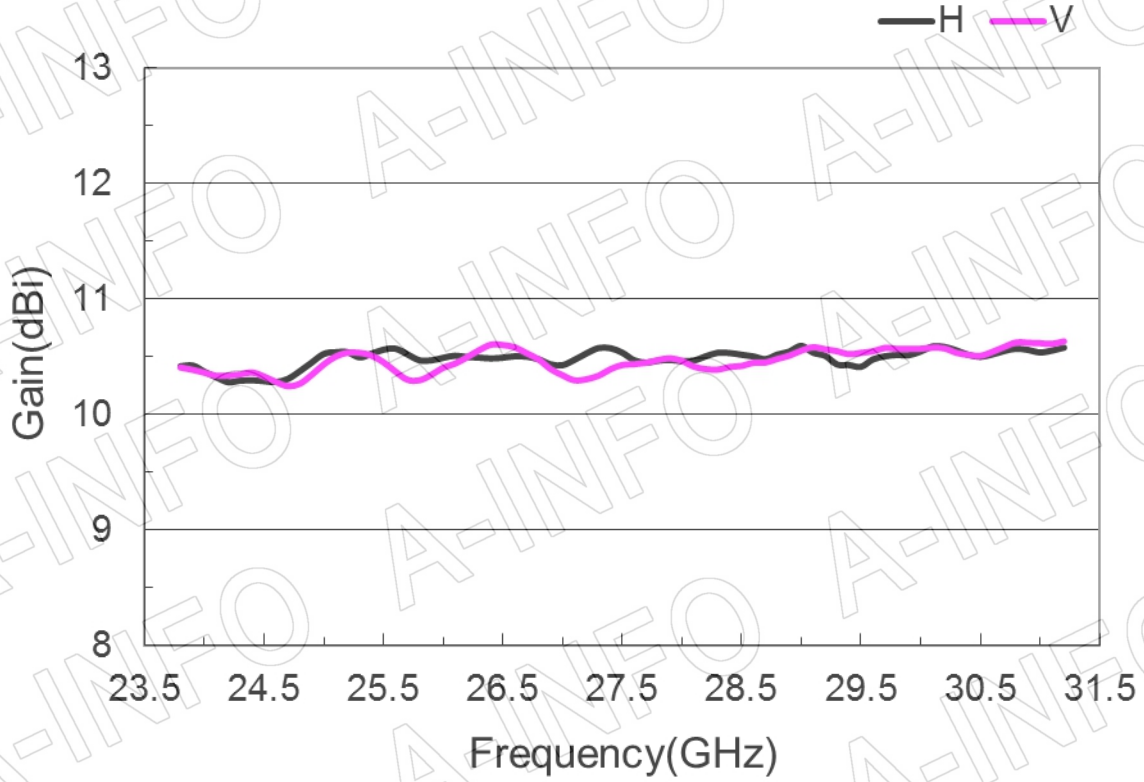
Page 6 of 13

(+86) 10-6266-7327 Fax: (+86) 10-6266-7379
(+86) 28-8519-3044 Fax: (+86) 28-8519-3068
(+1) 949-639-9608 Fax: (+1) 949-639-9670

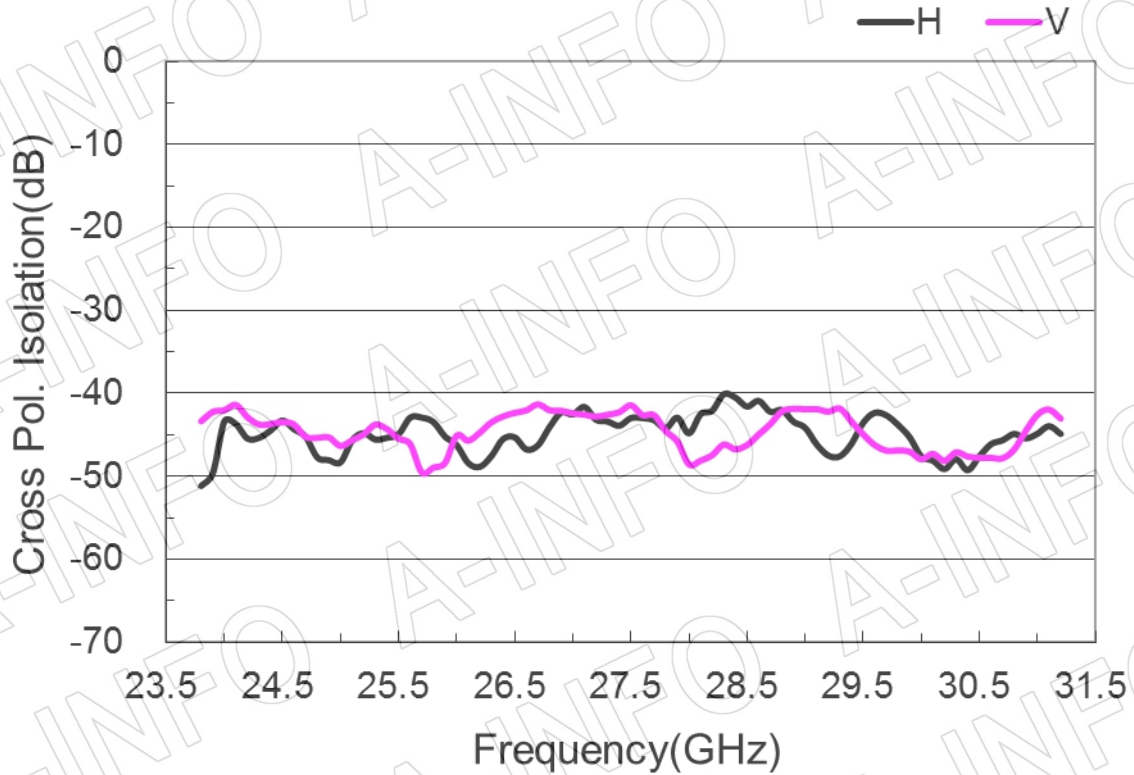
Website: www.ainfoinc.com
Email: sales@ainfoinc.com

Test Results

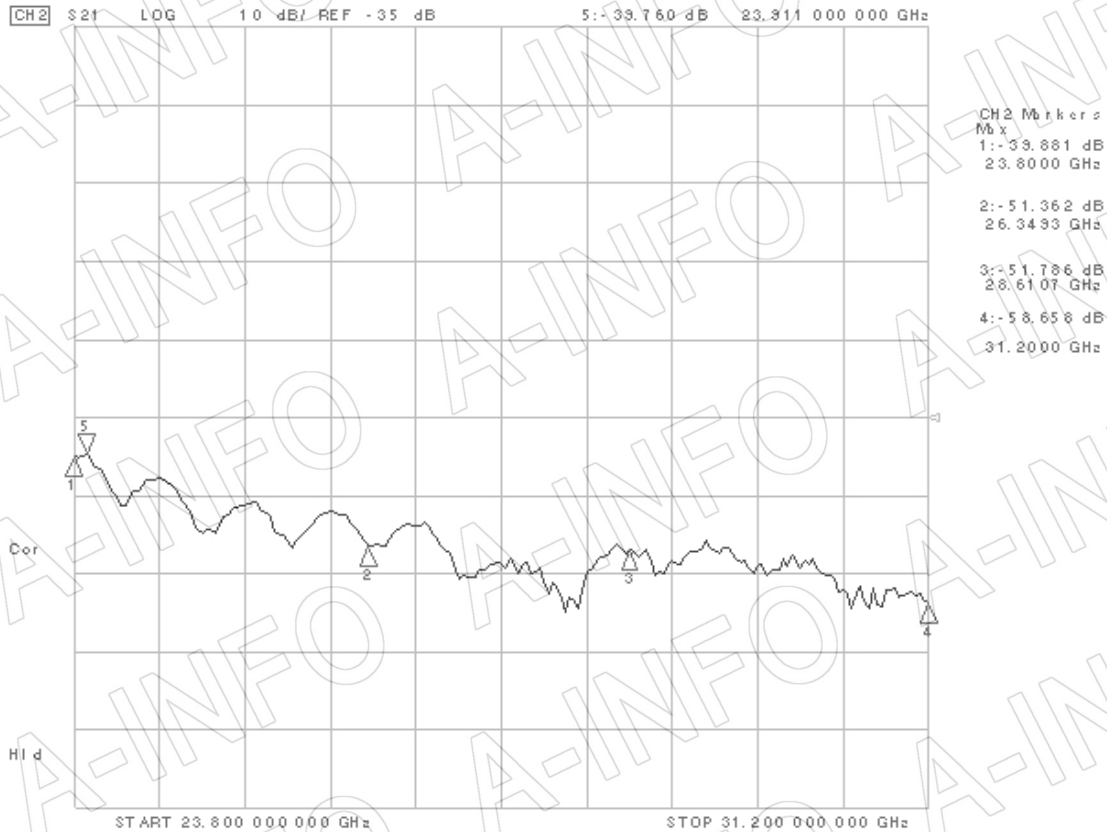
1. Gain & Antenna Factor



2. Cross Polarization Isolation



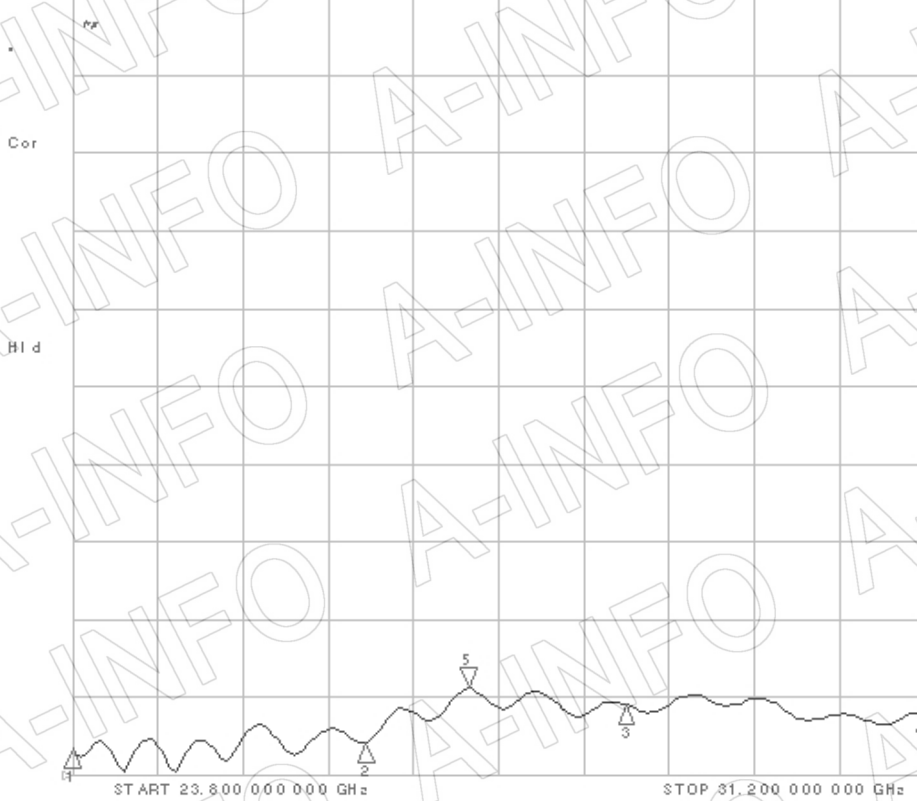
3. Port to Port Isolation



4. VSWR_A Type

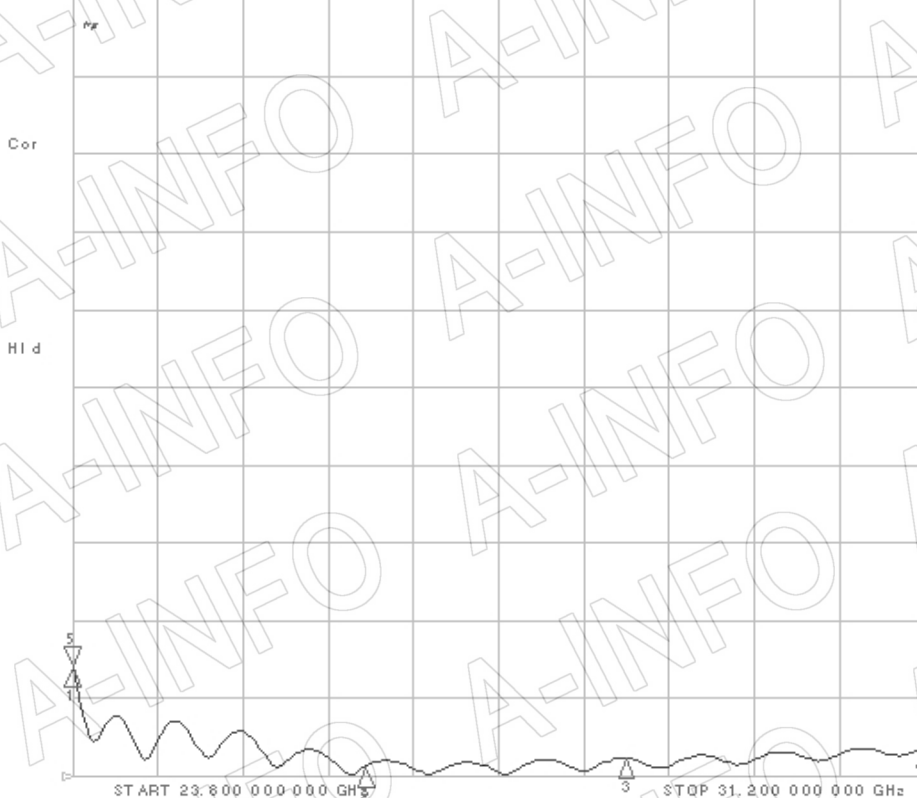
Port-H

CH1 S22 S_{WR} 500 m / REF 1 5: 1.5601 27.241 000 000 GHz



Port-V

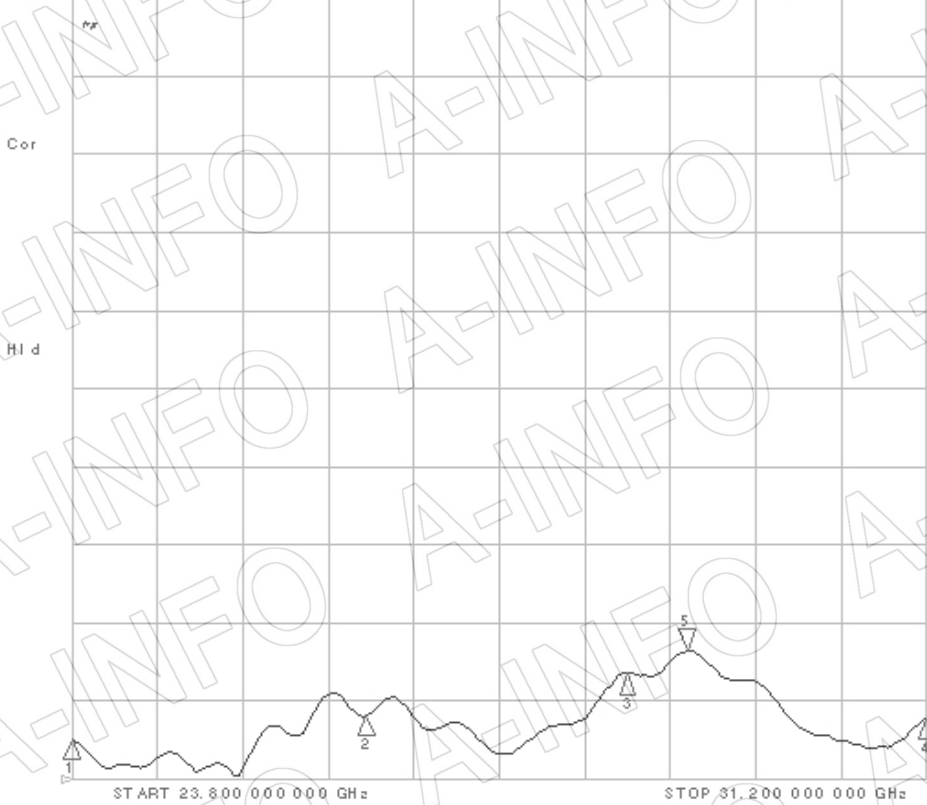
CH1 S11 S_{WR} 500 m / REF 1 5: 1.7006 23.800 000 000 GHz



VSWR_C Type

Port-H

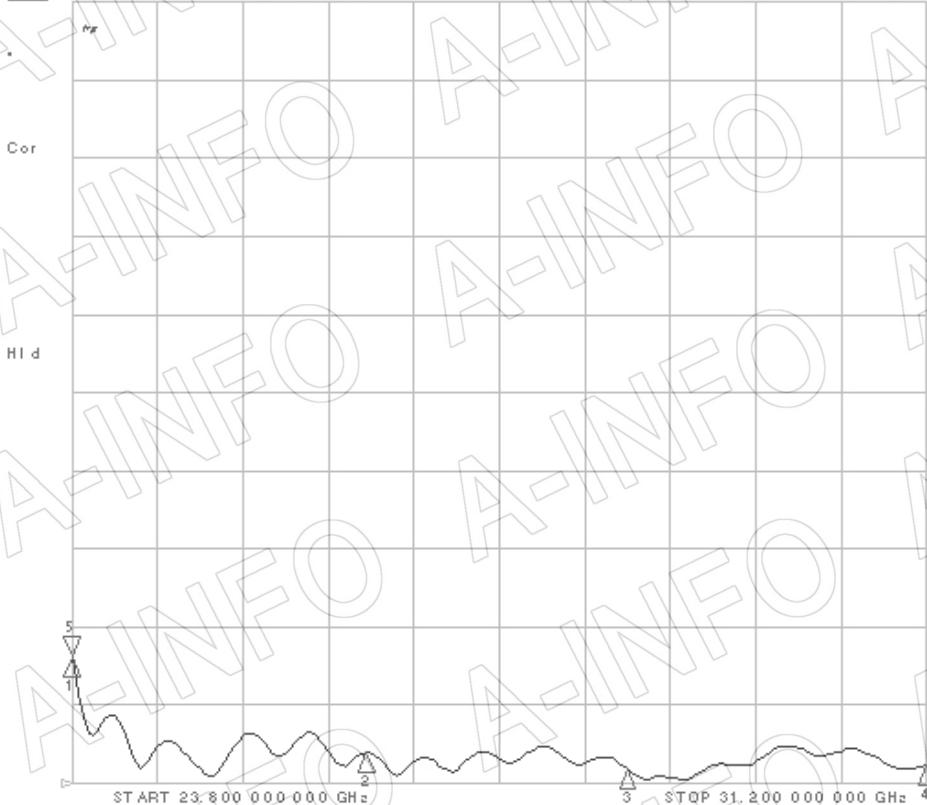
CH1 S22 S_{WR} 500 m / REF 1 5: 1.8286 29.128 000 000 GHz



CH1 Markers
Mkx
1: 1.2587
23.8000 GHz
2: 1.4094
26.3433 GHz
3: 1.6761
28.6107 GHz
4: 1.3892
31.2000 GHz

Port-V

CH1 S11 S_{WR} 500 m / REF 1 5: 1.8134 23.800 000 000 GHz



CH1 Markers
Mkx
1: 1.8134
23.8000 GHz
2: 1.1963
26.3433 GHz
3: 1.0347
28.6107 GHz
4: 1.1179
31.2000 GHz

5. Pattern

